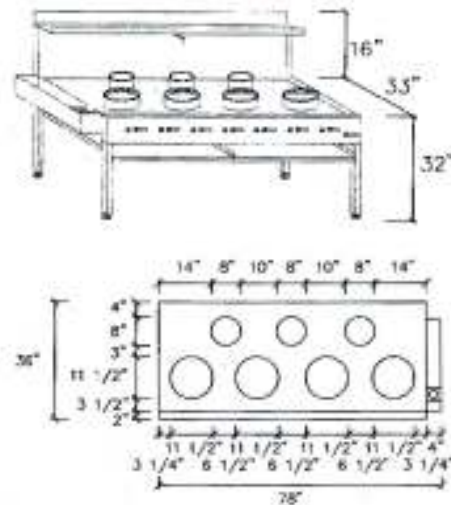


# CHRIS ROE

the catering equipment professionals



## Custom Made Wok Cookers

- Top quality wok cookers
- Made to order and built on site
- All cookers available with left or right drainers
- Delivery and installation included
- Manufactured in compliance with CE mark and current gas regulations

Prices include installation (subject to site survey).

All cookers include flame failure devices to comply with current gas regulations.

Width can be reduced by 100mm by moving waste tray into the body of the cooker (cost option).

MODEL	H	W	D	OUR PRICE
2 front, 1 back	1220	1015	838	2895.00
3 front, 2 back	1220	1485	838	3295.00
4 front, 3 back	1220	1940	838	3495.00
5 front, 4 back	1220	2400	838	3795.00
6 front, 5 back	1220	2855	838	4545.00

These prices include installation and commissioning

Services required: gas 28mm, water 15mm, waste 40mm (right hand drain unless specified), adequate ventilation with gas interlock system